

# Scenario 3

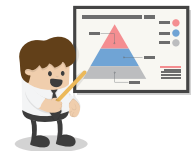
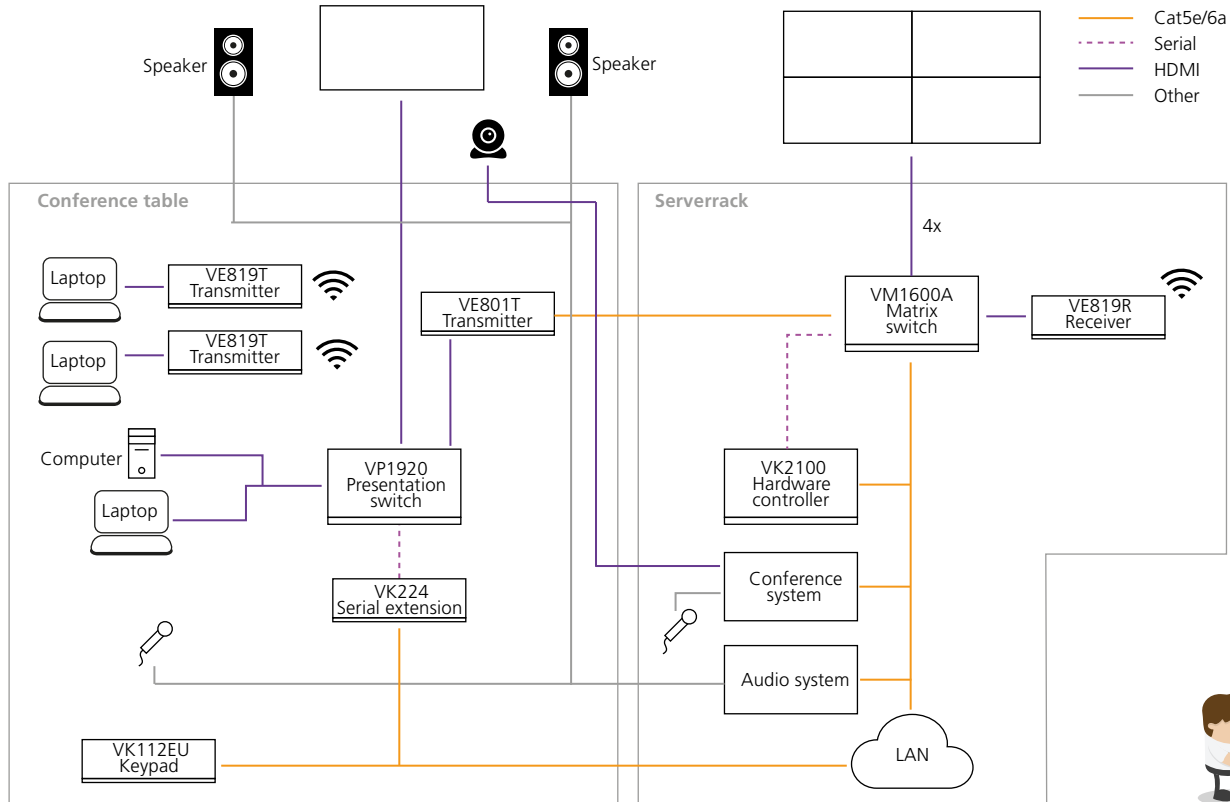


## Conferencing

A new presentation switch series combines multiple interfaces, often needed in meeting and presentation rooms, in a single device. In 2018, ATEN will launch its first presentation switch with IP streaming function. More models will follow soon after.

ATEN central hardware controller, splitters, matrix switches, extenders and converters already are the backbone of everyday huddle spaces, conference and presentation rooms. The new presentation switch series will be another highly professional addition to the team.

“Presentation switchers connect people and let them share ideas easily.”

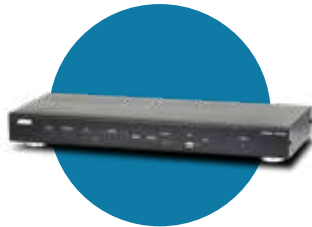




VE819

### Wireless HDMI switch

- up to 10m
- Plug-and-play
- 1x HDMI input
- Up to 1920 x 1080
- low latency < 1ms
- connect up to 4 transmitters to 1 receiver



VK2100

### Hardware controller

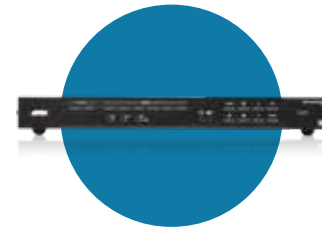
- various interfaces
  - 6 Serial ports, 4 IR / Serial ports, 4 Relay channels, 4 I/O Channels, 1 Ethernet port
- KNX support
- 2 app licences included
- 4 DC 12V outputs (24W)
- 1 USB port for profile uploading
- optional: expansion boxes, wallplate keypad



VM1600A

### Videowall and modular matrix switch

- dual power (optional)
- rack mountable
- Seamless Switch
- scaling per output
- videowall function
- optional alert per output
- HDMI, DVI-D, HDBaseT, 3G-SDI or VGA boards available
  - up to 4 input and 4 output boards
  - 4 ports per board
- up to 100m with HDBaseT
- remote control: webGUI, serial, Telnet



VP1920

### Presentation switcher

- 9x HDMI and combo input
- 2x HDMI output
- fast switching
- auto-switching
- source preview
- multiple audio in/out
- multiple display mode
- independent switching: USB, audio
- control: buttons, serial, OSD, infrared
- 4x USB peripherals, incl. keyboard/mouse



VK112EU wallplate keypad